

NEEDLE ROLLER BEARINGS WITH SEPARABLE CAGE

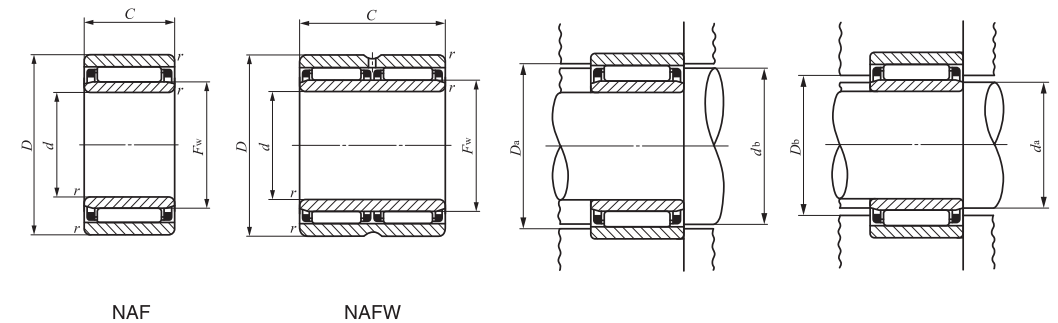
With Inner Ring



Shaft dia. 30 – 65mm

| Shaft dia. mm | Identification number | Mass (Ref.) g | Boundary dimensions mm | | | | | Standard mounting dimensions mm | | | | |
|------------------|-----------------------|---------------------|------------------------|----------|----------|---|----------------------|---------------------------------|------------------------------|-----------------------------------|----------------------|------|
| | | | <i>d</i> | <i>D</i> | <i>C</i> | <i>r_{s min}</i> ⁽¹⁾ | <i>F_w</i> | <i>d_b</i> | <i>D_a</i> Max. | <i>d_a</i> Min. Max. | <i>D_b</i> | |
| 30 | NAF 304517 | 101 | 30 | 45 | 17 | 0.3 | 35 | 39.5 | 43 | 32 | 34 | 35.6 |
| | NAFW 304526 | 155 | 30 | 45 | 26 | 0.3 | 35 | 39.5 | 43 | 32 | 34 | 35.6 |
| | NAF 304716 | 107 | 30 | 47 | 16 | 0.3 | 35 | 40.4 | 45 | 32 | 34 | 35.6 |
| | NAFW 304732 | 215 | 30 | 47 | 32 | 0.3 | 35 | 40.4 | 45 | 32 | 34 | 35.6 |
| 35 | NAF 355017 | 115 | 35 | 50 | 17 | 0.3 | 40 | 43.5 | 48 | 37 | 39 | 40.8 |
| | NAFW 355034 | 230 | 35 | 50 | 34 | 0.3 | 40 | 43.5 | 48 | 37 | 39 | 40.8 |
| | NAF 355520 | 186 | 35 | 55 | 20 | 0.3 | 40 | 45.2 | 53 | 37 | 39 | 40.8 |
| | NAFW 355540 | 375 | 35 | 55 | 40 | 0.3 | 40 | 45.2 | 53 | 37 | 39 | 40.8 |
| 40 | NAF 405517 | 128 | 40 | 55 | 17 | 0.3 | 45 | 48.5 | 53 | 42 | 44 | 45.8 |
| | NAFW 405534 | 255 | 40 | 55 | 34 | 0.3 | 45 | 48.5 | 53 | 42 | 44 | 45.8 |
| | NAF 406220 | 235 | 40 | 62 | 20 | 0.3 | 45 | 50.9 | 60 | 42 | 44 | 45.8 |
| | NAFW 406240 | 475 | 40 | 62 | 40 | 0.3 | 45 | 50.9 | 60 | 42 | 44 | 45.8 |
| 45 | NAF 456220 | 196 | 45 | 62 | 20 | 0.3 | 50 | 54.2 | 60 | 47 | 49 | 50.8 |
| | NAFW 456240 | 390 | 45 | 62 | 40 | 0.3 | 50 | 54.2 | 60 | 47 | 49 | 50.8 |
| | NAF 457220 | 340 | 45 | 72 | 20 | 1 | 55 | 60.9 | 67 | 50 | 54 | 55.8 |
| | NAFW 457240 | 685 | 45 | 72 | 40 | 1 | 55 | 60.9 | 67 | 50 | 54 | 55.8 |
| 50 | NAF 506820 | 230 | 50 | 68 | 20 | 0.3 | 55 | 59.5 | 66 | 52 | 54 | 55.8 |
| | NAFW 506840 | 465 | 50 | 68 | 40 | 0.3 | 55 | 59.5 | 66 | 52 | 54 | 55.8 |
| | NAF 507820 | 390 | 50 | 78 | 20 | 1 | 60 | 66.3 | 73 | 55 | 59 | 60.8 |
| | NAFW 507840 | 775 | 50 | 78 | 40 | 1 | 60 | 66.3 | 73 | 55 | 59 | 60.8 |
| 55 | NAF 558530 | 690 | 55 | 85 | 30 | 1.5 | 65 | 72 | 77 | 63 | 63.5 | 66 |
| | NAFW 558560 | 1 380 | 55 | 85 | 60 | 1.5 | 65 | 72 | 77 | 63 | 63.5 | 66 |
| 60 | NAF 609030 | 740 | 60 | 90 | 30 | 1.5 | 70 | 77 | 82 | 68 | 68.5 | 71 |
| | NAFW 609060 | 1 480 | 60 | 90 | 60 | 1.5 | 70 | 77 | 82 | 68 | 68.5 | 71 |
| 65 | NAF 659530 | 790 | 65 | 95 | 30 | 1.5 | 75 | 82 | 87 | 73 | 73.5 | 76 |
| | NAFW 659560 | 1 580 | 65 | 95 | 60 | 1.5 | 75 | 82 | 87 | 73 | 73.5 | 76 |

Notes⁽¹⁾ Minimum allowable value of chamfer dimension *r*
⁽²⁾ Allowable rotational speed applies to oil lubrication. For grease lubrication, a maximum of 50% of this value is allowable.
 Remarks1. NAF has no oil hole. NAFW is provided with an oil groove and an oil hole on the outer ring.
 2. No grease is prepacked. Perform proper lubrication.



| Basic dynamic load rating <i>C</i> N | Basic static load rating <i>C₀</i> N | Allowable rotational speed ⁽²⁾ min ⁻¹ | Assembled inner ring |
|--|---|--|----------------------|
| 20 500 | 36 900 | 14 000 | LRT 303517 |
| 26 600 | 51 500 | 14 000 | LRT 303526 |
| 23 100 | 33 900 | 14 000 | LRT 303516 |
| 39 500 | 67 800 | 14 000 | LRT 303532 |
| 22 200 | 42 700 | 12 000 | LRT 354017 |
| 38 000 | 85 400 | 12 000 | LRT 354034 |
| 31 400 | 48 000 | 12 000 | LRT 354020 |
| 53 900 | 96 000 | 12 000 | LRT 354040 |
| 23 300 | 47 100 | 11 000 | LRT 404517 |
| 39 900 | 94 200 | 11 000 | LRT 404534 |
| 33 200 | 53 300 | 11 000 | LRT 404520 |
| 56 900 | 107 000 | 11 000 | LRT 404540 |
| 27 100 | 59 300 | 10 000 | LRT 455020 |
| 46 400 | 119 000 | 10 000 | LRT 455040 |
| 37 400 | 66 400 | 9 000 | LRT 455520 |
| 64 100 | 133 000 | 9 000 | LRT 455540 |
| 28 600 | 66 000 | 9 000 | LRT 505520 |
| 49 000 | 132 000 | 9 000 | LRT 505540 |
| 38 900 | 71 700 | 8 500 | LRT 506020 |
| 66 700 | 143 000 | 8 500 | LRT 506040 |
| 59 300 | 127 000 | 7 500 | LRT 556530 |
| 102 000 | 255 000 | 7 500 | LRT 556560 |
| 61 200 | 136 000 | 7 000 | LRT 607030 |
| 105 000 | 272 000 | 7 000 | LRT 607060 |
| 63 100 | 144 000 | 6 500 | LRT 657530 |
| 108 000 | 289 000 | 6 500 | LRT 657560 |